

Ozone Contact Tanks

Watertec Engineering Pty Ltd understands the importance of ozone transfer into the water and therefore we have manufactured an ozone contact chamber which prevents short circuiting and enhances the ozone transfer into water. The design also enhances the waste ozone gas separation from the water.

The ozone gas and water are effectively mixed prior to entering the contact chamber. Once mixed the gas has time to diffuse into the water in a confined space under pressure. The units are designed to provide a highly efficient contact and retention time between the gas and water. To optimise the contact tank potential it is very important that the system is designed with the correct pressures and retention times.

Construction

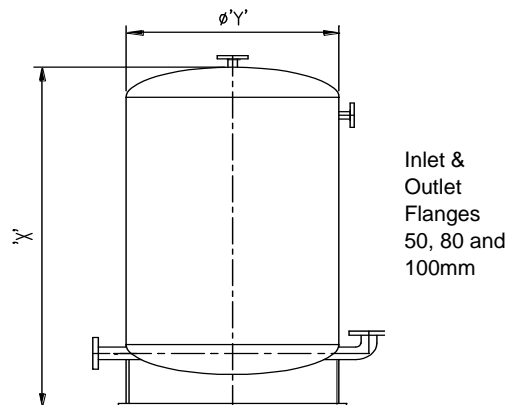
The Watertec Engineering Pty Ltd contact tanks are manufactured from Derakane 411 Vinyl Ester Resin. The standard ozone contact tank is manufactured to operate at a pressure of 300kpa but can be manufactured to operate at higher pressures if required. The contact tank is designed to operate up to 2% W/W of ozone in the water phase.

The intake and outlet flanges are sized according to the flow rates through the contact tank. As a standard feature the contact tank also has two one inch flanges for mounting the off gas vent valve system. The tank is supported by a fibreglass brace, which can be secured to the concrete by fastening washers.

Configuration

The ports on the contact tank can be configured to meet your requirements on request. Ozone contact tanks can be designed and manufactured to meet your specifications; this includes manufacture in stainless steel

Vessel Dimensions		Nominal Volume	Approx Weight
Height X	Width Y		
1000	600	200L	70kg
1500	600	400L	80kg
1450	750	533L	120kg
1500	750	690L	120kg
1950	750	900L	135kg
2150	750	1000L	145kg
1950	1050	1350L	155kg
1950	1200	1750L	180kg
2650	1200	2600L	200kg
2350	1600	3500L	300kg
2550	1850	5000L	650kg
3250	1850	7000L	750kg
3200	2470	12000L	1200kg



AUSTRALIA
WATERTEC ENGINEERING PTY LTD
 Tel: +61 7 3287 1288
 Email: sales@watertecengineering.com

MALAYSIA
WATEROTEC (M) SDN BHD
 Tel: +603 6092 9029
 Email: sales@waterotec.com



www.watertecengineering.com