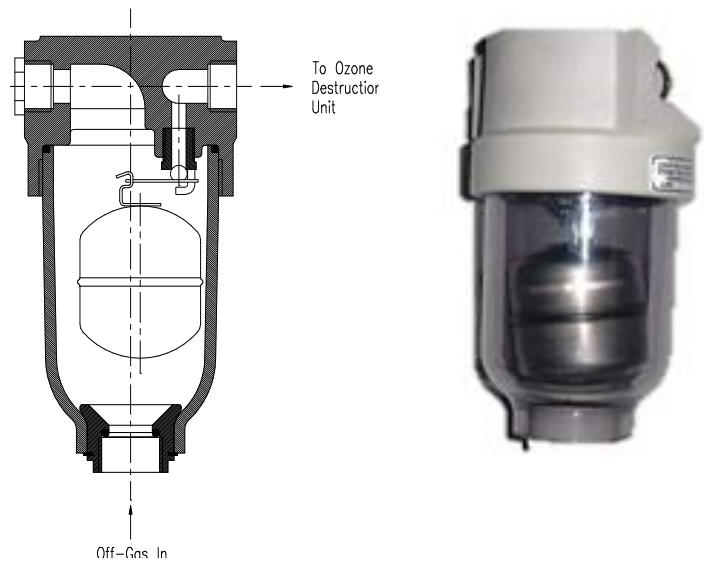


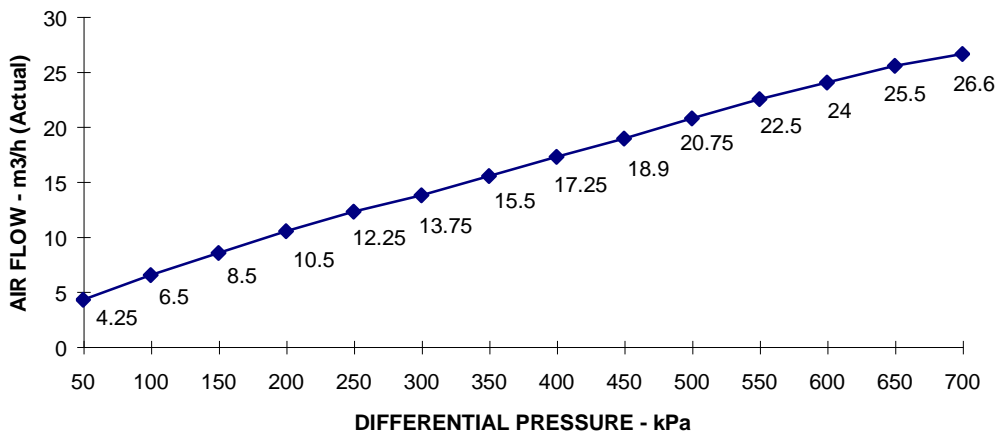
## Ozgen Ozone Systems

### Venting Valves 1/8"

#### Automatic Ozone Off-Gas Venting Valves



PART	: OB-1-000003	MAX. DIFFERENTIAL PRESSURE	: 700 kPa
MAX. VENT RATE	: 27m <sup>3</sup> /h	MAX. STATIC PRESSURE	: 1000kPa
MAX. TEMP	: 30°C		



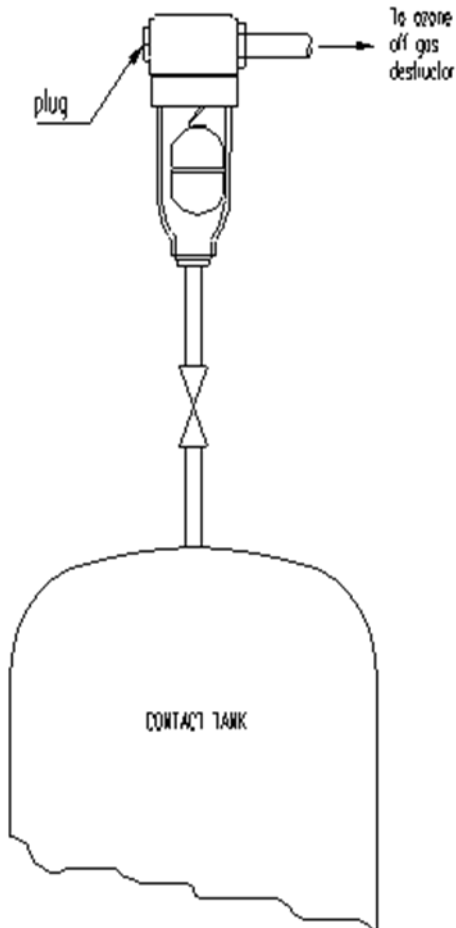
**AUSTRALIA**  
**WATERTEC ENGINEERING PTY LTD**  
 Tel: +61 7 3287 1288  
 Email: sales@watertecengineering.com  
[www.watertecengineering.com](http://www.watertecengineering.com)

**MALAYSIA**  
**WATEROTEC (M) SDN BHD**  
 Tel: +603 6092 9029  
 Email: sales@waterotec.com



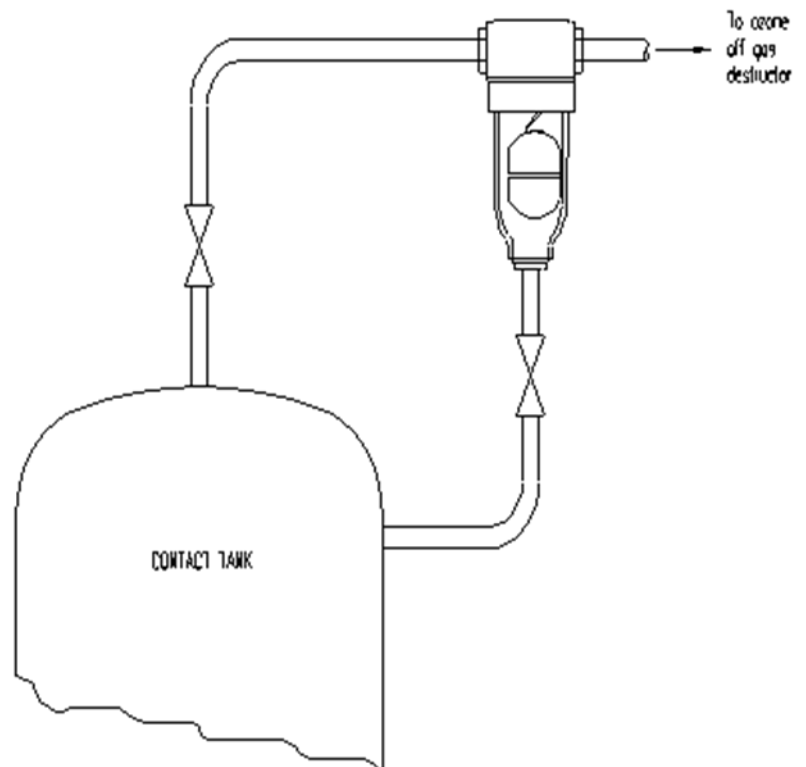
## Venting Valves 1/4"

### Suggested Installation Methods



Installation Method 1.

For simple off gas venting.  
Note: The full venting capacity of the valve will not be achieved with this installation method. Derive the valve venting rate by 50%.



Installation Method 2.

For continuous venting with equilibration line.  
To be used where large amounts of off gas must be vented.