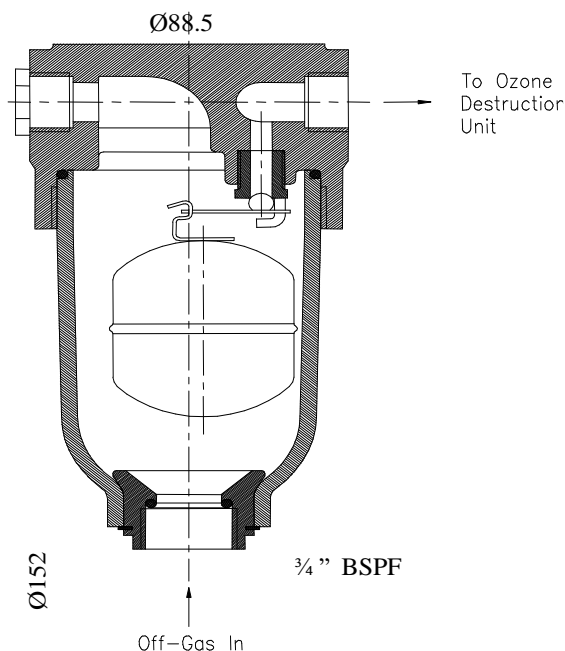


Venting Valves 1/4"

Automatic Ozone Off-Gas Venting Valve

Off gas Release Valves

- Sizes 1/8" to 1/4" (3.18 - 6.36mm)
- Clear housing for easy viewing of operation
- Special off gas systems can be designed for LSS or where there is a high amount of particle contamination



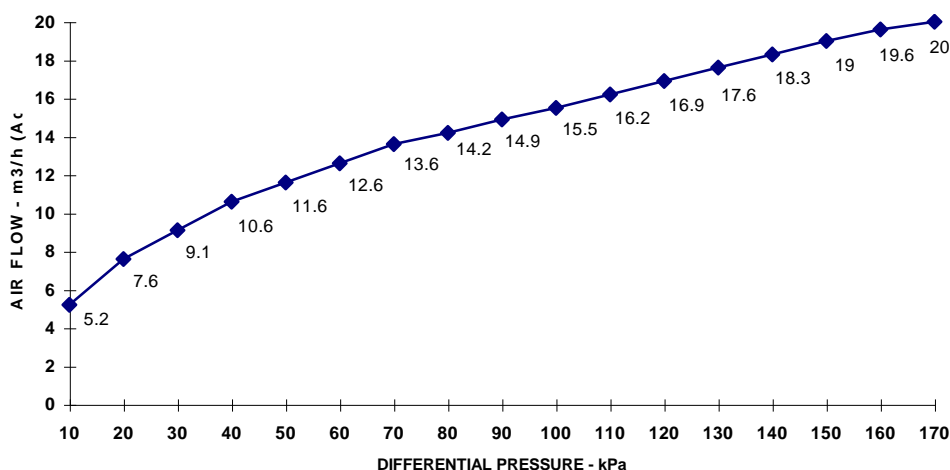
PART NO: OB-1-000001

MAX. DIFFERENTIAL PRESSURE : 170 kPa

MAX. VENT RATE : 20m³/h

MAX. STATIC PRESSURE : 1000kPa

MAX. TEMP : 30°C



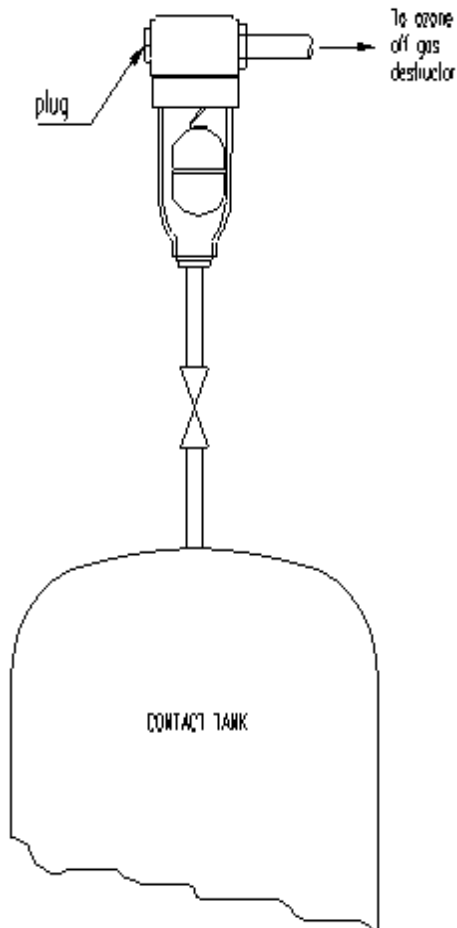
AUSTRALIA
WATERTEC ENGINEERING PTY LTD
 Tel: +61 7 3287 1288
 Email: sales@watertecengineering.com
www.watertecengineering.com

MALAYSIA
WATEROTEC (M) SDN BHD
 Tel: +603 6092 9029
 Email: sales@waterotec.com



Venting Valves 1/4"

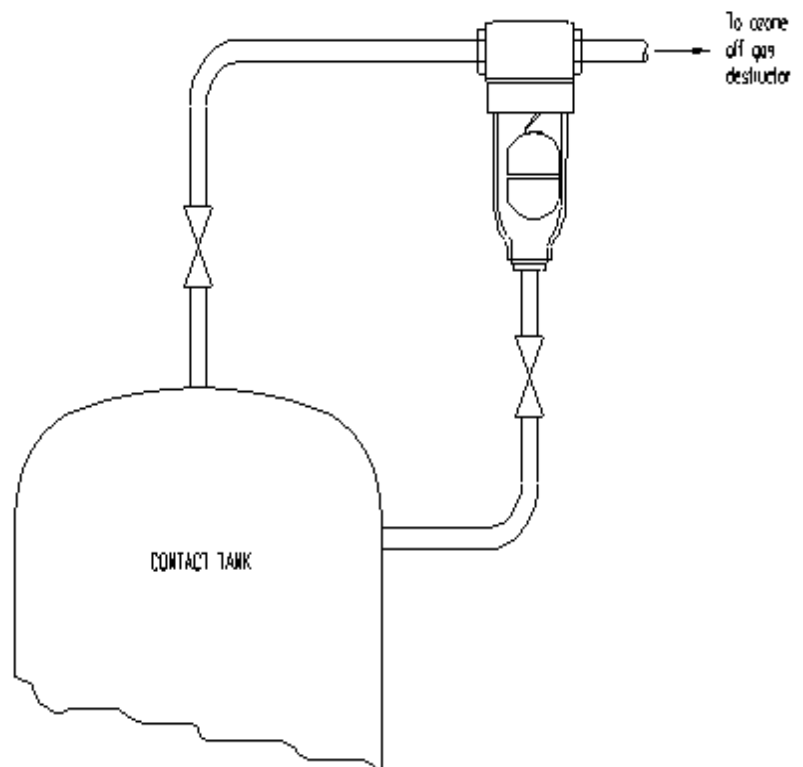
Suggested Installation Methods



Installation Method 1.

For simple off gas venting.

Note. The full venting capacity of the valve will not be achieved with this installation method. Decide the valve venting rate by 50%.



Installation Method 2.

For continuous venting with equalization line. To be used where large amounts of off gas must be vented.